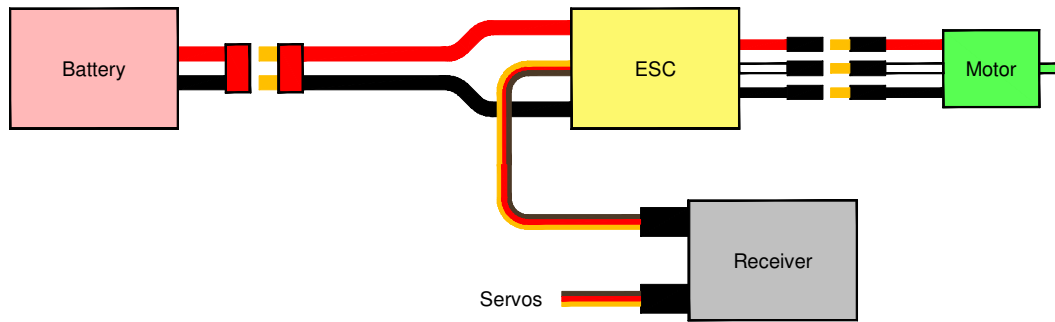
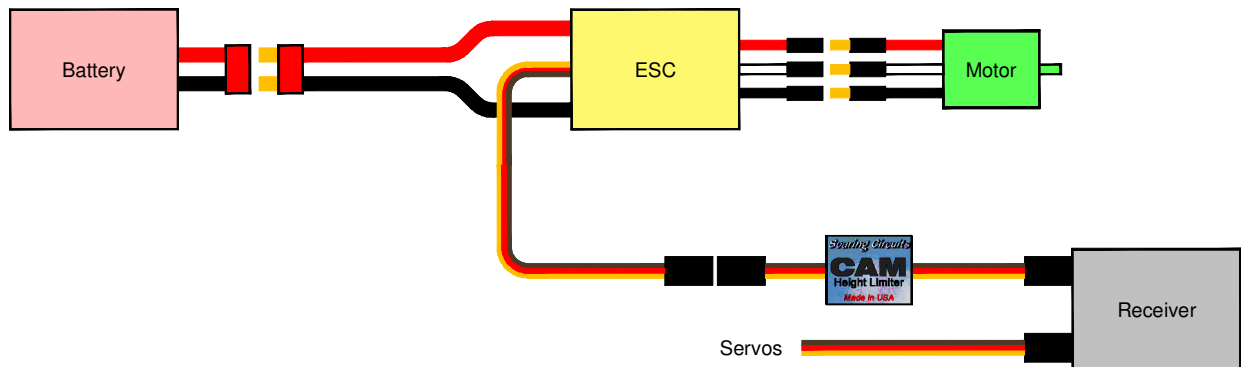


CAM Installation Diagrams

Typical installation with receiver powered from ESC's built in BEC



Typical installation with CAM



Typical installation with separate BEC and CAM

